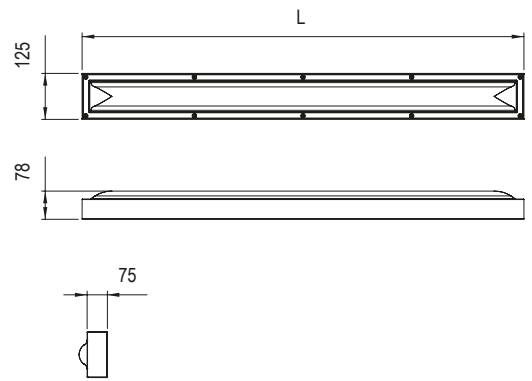


TABOR

Strong & durable LED linear luminaire

PRODUCT CODE	LUMENS	LENGTH (L)	LOAD
TAB/2/2250	2250	620mm	18W
TAB/2/2450	2450	620mm	20.5W
TAB/2/2900	2900	620mm	25W
TAB/4/4500	4500	1200mm	35W
TAB/4/4900	4900	1200mm	39W
TAB/4/5800	5800	1200mm	48W



Super-slim 'tough brother' of the Forum, designed for installations where severe or prolonged attack may occur.

Body in zinc coated steel.

3mm opal polycarbonate diffuser secured by anti-tamper fixings.

620mm version is provided utilising a flat opal polycarbonate panel.

2250, 2450 & 2900lm are supplied set to ordered level but version for on-site switchable output is available – add suffix “ADJ”.

4500, 4900 & 5800lm are supplied set to ordered level but version for on-site switchable output is available - add suffix “ADJ”.

CCT:	4000K
Finish:	Painted Textured Black
IP:	65
IK:	18



Other colours and technical modifications available.
Anti-ligature as standard when ceiling mounted.