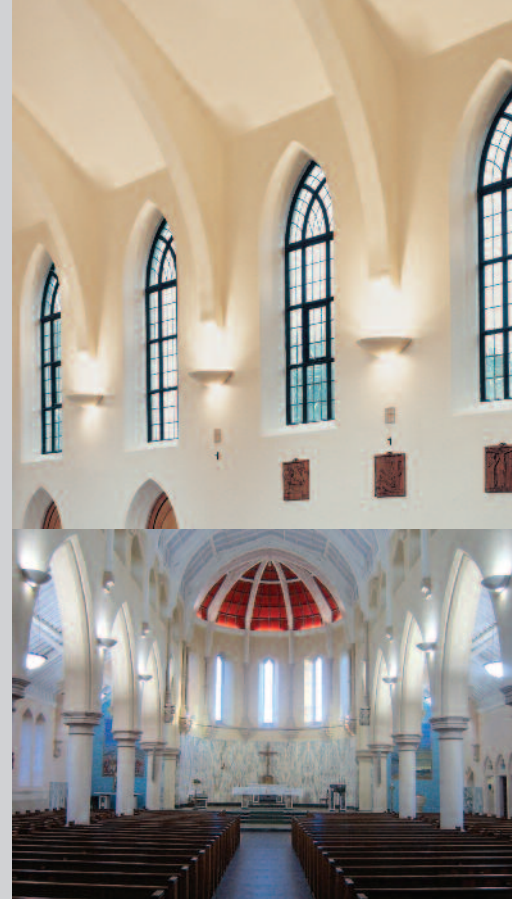


**SPECIFICATION**  
MILD STEEL HOUSING  
POLYCARBONATE DIFFUSER

**FINISH**  
WHITE  
RAL 9006  
BRONZE

## DAMASCUS WALL

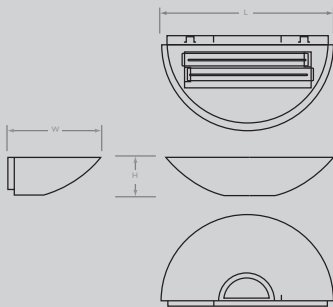
A wall-mounted quarter-sphere upright offered in two sizes with optional downward light element.



REFERENCE	LAMPS	DIMENSIONS (mm)
<b>UPLIGHT ONLY</b>		
DMS 203 236	2 x 36 watt TC-L	600 x 325 x 110 mm
DMS 203 255	2 x 55 watt TC-L	700 x 375 x 145mm
DMS 203 170	1 x 70 watt CDM-T	700 x 375 x 145mm
DMS 203 1150	1 x 150 watt CDM-T	700 x 375 x 145mm

<b>WITH DOWNWARD COMPONENT</b>		
DMS 204 236	2 x 26 watt TC-L	600 x 325 x 110 mm
DMS 204 255	2 x 55 watt TC-L	700 x 325 x 110 mm
DMS 204 170	1 x 70 watt CDM-T	700 x 325 x 110 mm
DMS 204 1150	1 x 150 watt CDM-T	700 x 325 x 110 mm

**ADD SUFFIX**     /WH for white paint finish  
                          /Sl for RAL 9006 paint finish  
                          /BR for Bronze paint finish  
                          /EM for emergency version



DIMENSIONS

MOUNTING  
WALL MOUNTING

LAMPS  
TC-L / CDM-T

DISTRIBUTION

WALL  
DAMASCUS WALL

DETAIL

IP RATING **\_20**  
WEIGHT [KG] **\_6**

CE