



SPECIFICATION
ALUMINIUM HOUSING
OPAL ACRYLIC DIFFUSER



FINISH
RAL 9010

ALONE

A recessed circular halo-effect luminaire with optional spot elements.

REFERENCE

- ALO 281 122
- ALO 281 140
- ALO 281 155

LAMPS

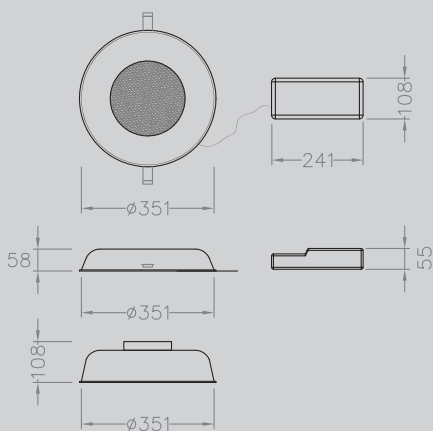
- 1 x 22 watt circular T5
- 1 x 40 watt circular T5
- 1 x 55 watt circular T5

WITH CENTRALLY-MOUNTED SPOTLIGHTS

- ALO 282 122150 1 x 22 watt Circular T5 + 1 x 50 watt AR-111
- ALO 282 140150 1 x 40 watt Circular T5 + 1 x 50 watt AR-111
- ALO 282 155150 1 x 55 watt Circular T5 + 1 x 50 watt AR-111

WITH CENTRALLY-MOUNTED LED SPOTLIGHTS

- ALO 282 122LED 1 x 22 watt Circular T5 + LED SPOT
- ALO 282 140LED 1 x 40 watt Circular T5 + LED SPOT
- ALO 282 155LED 1 x 55 watt Circular T5 + LED SPOT



DIMENSIONS

MOUNTING
SPRING CLIP BRACKETS

LAMPS
T5-C + AR-115 + LED SPOT

DISTRIBUTION

RECESSED
ALONE

DETAIL

IP RATING **_20**
WEIGHT [KG] **_2**

CE