



**SPECIFICATION**  
 MILD STEEL HOUSING  
 OPAL ACRYLIC DIFFUSER  
 PERFORATED METAL BAFFLE

**FINISH**  
 RAL 9006  
 WHITE

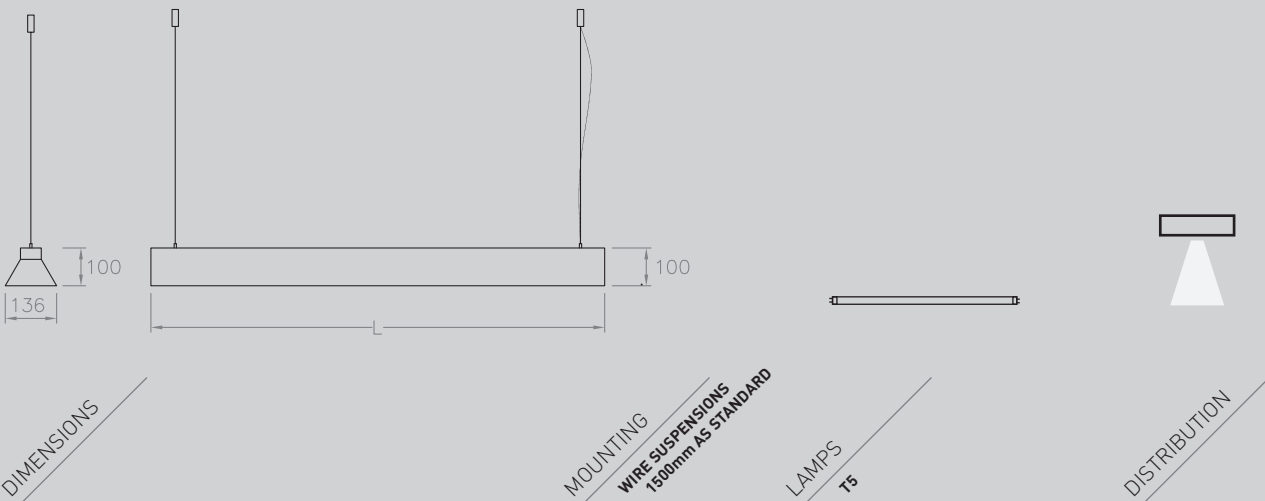
# LINER

A T5 pendant luminaire designed by Smith & Wightman.



REFERENCE	LAMPS	LENGTH (mm)	WIDTH (mm)
LIN 139 128	1 x 28 watt T5	1200	136

ADD SUFFIX /OP for additional opal diffuser  
 /PF for additional perforated baffle  
 /EM for integral emergency version.



PENDANT  
 LINER

DETAIL

IP RATING **\_20**  
 WEIGHT [KG] **\_6**

CE