

**SPECIFICATION**

ALUMINIUM HOUSING  
ACRYLIC SPREAD LENS  
OPTIONAL GLASS SHADE ELEMENT

**FINISH**

ANODISED ALUMINIUM  
ANODISED WHITE

# DORION

A T5 pendant luminaire with linear spread lens.  
Available in single and double lengths.

REFERENCE	LAMPS	LENGTH (mm)
SINGLE LENGTH STANDARD VERSIONS		
DOR 112 214	2 x 14 watt T5	605
DOR 112 224	2 x 24 watt T5	605
DOR 112 221	2 x 21 watt T5	905
DOR 112 228	2 x 28 watt T5	1205
DOR 112 235	2 x 35 watt T5	1505
DOR 112 239	2 x 39 watt T5	905
DOR 112 249	2 x 49 watt T5	1505
DOR 112 254	2 x 54 watt T5	1205

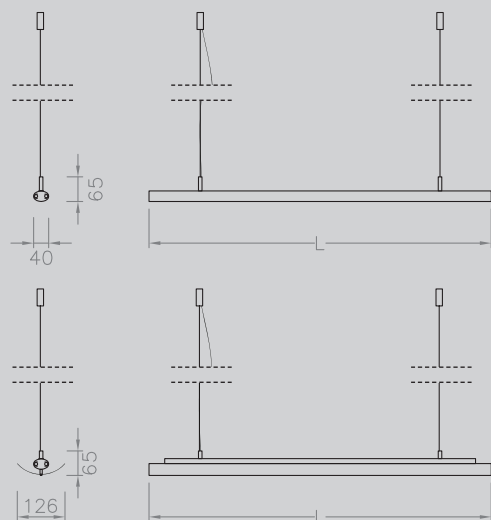
## DOUBLE LENGTH STANDARD VERSIONS

DOR 112 2228	2 x 2x 28 watt T5	2400
DOR 112 2235	2 x 2 x 35 watt T5	3000
DOR 112 2249	2 x 2 x 49 watt T5	3000
DOR 112 2254	2 x 2 x 54 watt T5	2400

## GLASS SHIELD VERSIONS

DOR 114 214	2 x 14 watt T5	660
DOR 114 224	2 x 24 watt T5	660
DOR 114 228	2 x 28 watt T5	1260
DOR 114 254	2 x 54 watt T5	1260

ADD SUFFIX /EM for integral emergency version  
/AL for anodised aluminium finish  
/AW for white anodised aluminium finish



Glass version

DIMENSIONS

MOUNTING  
WIRE SUSPENSIONS  
2000mm AS STANDARD

LAMPS  
T5

DISTRIBUTION

Standard version



PENDANT  
DORION

DETAIL

IP RATING **\_20**  
WEIGHT [KG] **\_2.5/METRE**

CE